

Cross laser, red, 635 nm, 90 °, 5 mW

CB635-5-3(16x45)-PL
Order Number: 70107104

Main Parameters (*)	min	typ	max	Unit
Wavelength		635		nm
Optical Output Power		5		mW
Operating Voltage	2.7	3	3.3	V DC
Operating Current	30	51	75	mA
Operating Temperature	-20		50	°C
Storage Temperature	-40		80	°C

Main Data

Warranty	1 years
----------	---------

Technical Parameters

Lifetime	> 5,000 h
RoHS	yes

Optical Parameters

Beam Shape	Cross
Laser Class	1
Divergence	B - 0.3 mrad
Fan Angle	90 °
Line Thickness	<1.5mm@3m
Operating Distance	5 m
Optics	glass lens AR coated
Laser technology	Single Mode Diode
Protection Lens	yes
Focus	fixed (3000mm)
Verticality	< ± 0.5 °

Electrical Parameters

Potential of Housing	isolated
Power Supply	LFNT-3

Mechanical Parameters

Size	Ø16x45 mm
Material	aluminium
Cable length	100 mm
Wire type	Belden, Typ 1007, 26AWG
Output Aperture	6.8 mm
Housing Color	black
Weight	24 g
Stripping of wire	5 mm

(*) Over the complete operating temperature range

Features



- Fan angle 90 °
- Glas lenses anti reflex coated
- Operating Voltage 3 V DC
- Laser Class 1
- Uniform line thickness

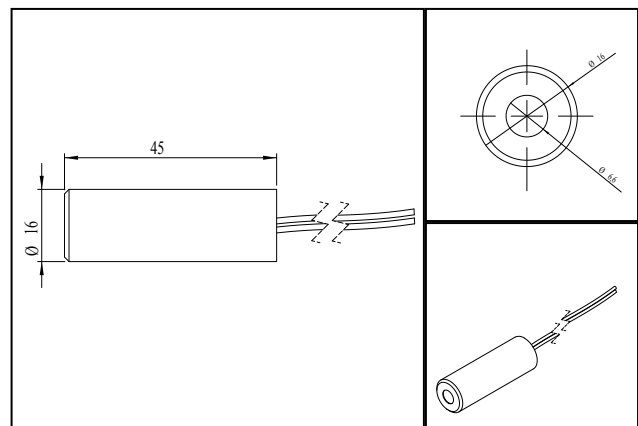
Picture



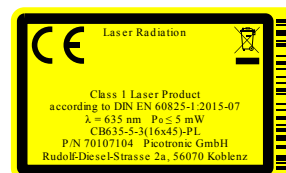
Cable color

Ground		black	GND
positive		red	2.7 - 3.3, typ 3 V DC

Drawing



Safety Label



Valid Revision

2 | 11-JAN-2018